



WORLD OF TANKS



SEMI MECHANICAL GAMING KEYBOARD K-50

USER MANUAL

KONIX

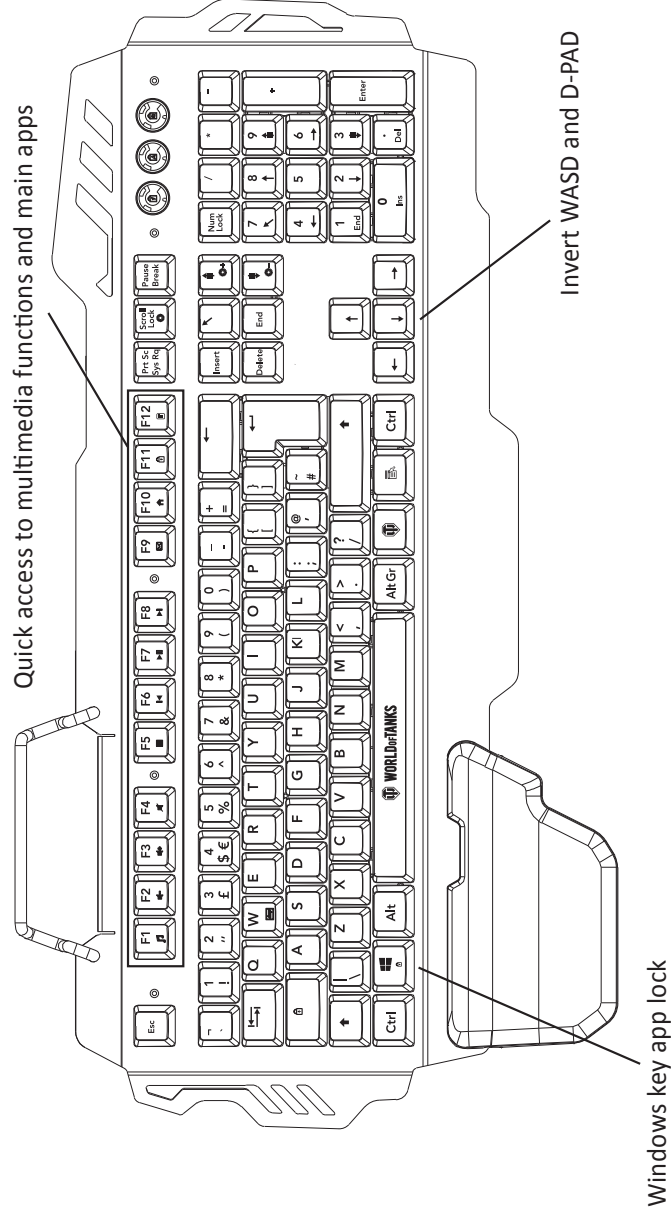
BOX CONTENT

- Semi mechanical keyboard
- Wrist rest
- Screws x 4
- Manuel
- Key remover

TECHNICAL SPECIFICATIONS

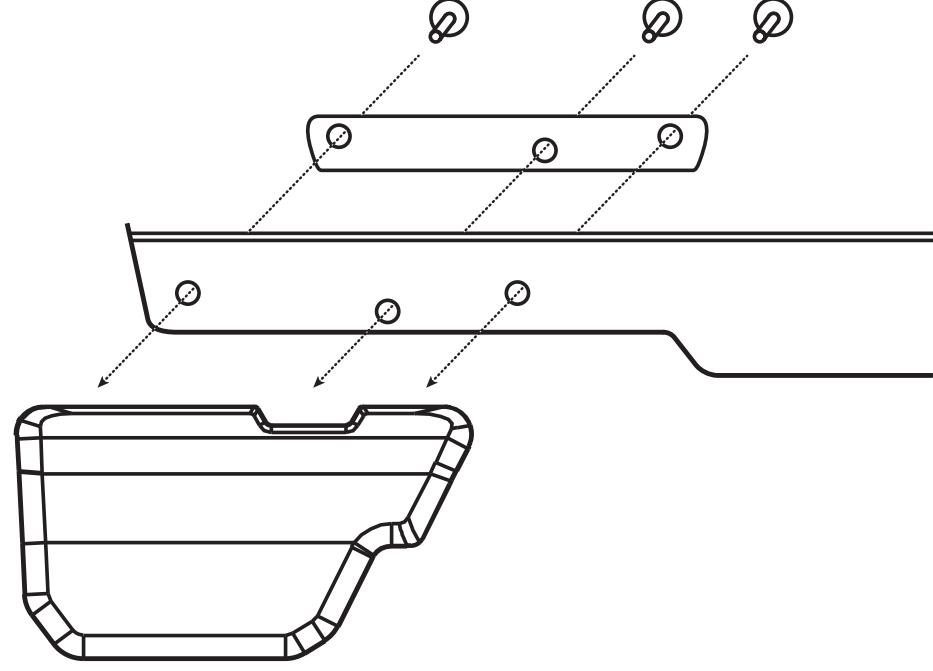
Orange back lit keyboard
105 keys QWERTY keyboard with semi mechanical switches
Anti-ghosting 26 keys
Compatible with Windows 7/8/10
Braided cable with gold plated magnetic tips
USB plug & play connection
Refresh rate: 125Hz
Size: 490x260x41mm
Weight: 1365g
Cable length: 1.8m
Power: DC 5V 100mA

FUNCTIONS:



105 keys QWERTY keyboard, orange backlight with adjustable brightness

WRIST REST SET UP:



SHORTCUTS AND FUNCTIONS

- **Key backlight:**

WOT + Scroll lock: turn the back light on/off
WOT + Pg Up/Pg Dn: set brightness (3 levels)

- **Multimedia shortcuts:**

WOT + F1: Windows player shortcut
WOT + F2: Volume -
WOT + F3: Volume +
WOT + F4: Mute
WOT + F5: Stop
WOT + F6: Previous
WOT + F7: Play/Pause
WOT + F8: Next
WOT + F9: Mailbox
WOT + F10: Internet browser
WOT + F11: Lock keyboard
WOT + F12: change keys responses time

- **Special functions:**

WOT + Win: lock/unlock the Windows and app keys
WOT + W: invert WASD and the D-PAD

- **Anti-ghosting on 26 keys:**

A, Z, E, R, T, Q, S, D, F, G, W, X, C, V, B, ?, TAB,
Lock CAPS, SHIFT (left), CTRL (left), ALT (left),
SPACE, (Up), (Down), (Left), (Right)



www.konix-interactive.com

©2019 Konix. Innelec Multimedia - Konix, 45 rue Delizy, 93692 Pantin Cedex, FRANCE.

The Konix and Drakkar brands and logos are trademarks of Innelec Multimedia S.A.
All other trademarks are the property of their respective owners. All rights reserved. Made in PRC.

© 2019 Wargaming.net. All rights reserved.

