



**SEMI-MECANICAL KEYBOARD BIFRØST
USER MANUAL**

KONIX



BOX CONTENT

- Semi mechanical keyboard x 1
- Wrist rest x 1
- Screws x 4
- Manual x 1
- Key remover x 1

TECHNICAL SPECIFICATIONS

Red back-lit keyboard

104 key QWERTY keyboard with semi mechanical switches

Anti-ghosting 26 keys

Compatible with Windows Vista/7/8/10

Braided cable with gold plated magnetic tips

USB plug & play connection

Refresh rate: 125Hz

Dimensions: 490x260x41mm

Weight: 1365g

Cable length: 1.8m

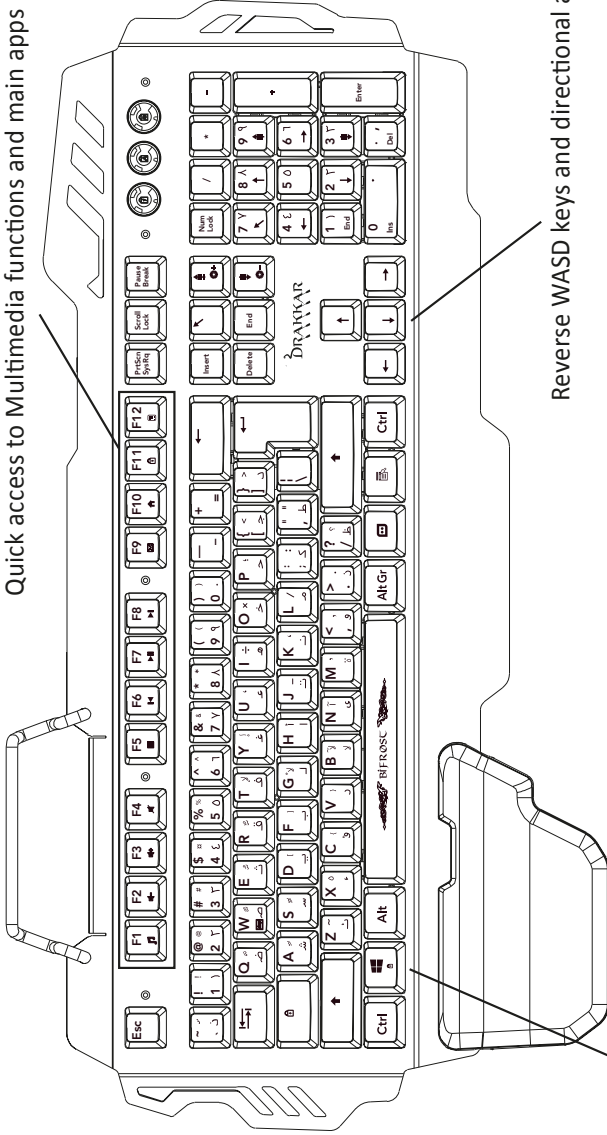
Power: DC 5V 100mA

Keyboard can be used between 0°C and +40°C

Storage temperature: -20°C to +60°C

FUNCTIONS :

Quick access to Multimedia functions and main apps

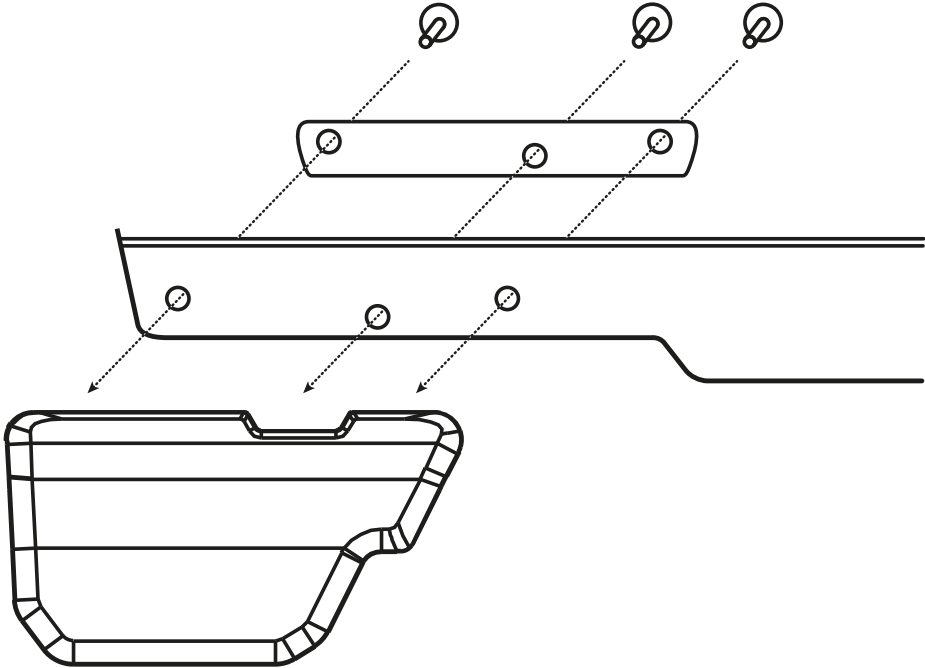


Reverse WASD keys and directional arrows

Windows key and app lock

104 keys QWERTY keyboard, red back-lit with adjustable brightness

INSTALLATION :



FUNCTIONS

- **Key backlight:**

KONIX + Scroll lock: Turn the back light ON or OFF

KONIX + PgUp/PgDn : Set brightness (3 levels)

- **Multimedia shortcuts:**

KONIX + F1: Windows player shortcut

KONIX + F2: Volume -

KONIX + F3: Volume +

KONIX + F4: Mute

KONIX + F5: Stop

KONIX + F6: Previous

KONIX + F7: Play/Pause

KONIX + F8: Next

KONIX + F9: emails

KONIX + F10: Internet browser

KONIX + F12: Raccourci calculator

- **Special functions:**

KONIX + WIN: Lock/Unlock the Windows and app keys

KONIX + Z : Invert the WASD as well as the direction keys

- **Anti-ghosting on 26 keys:**

A, Z, E, R, T, Q, S, D, F, G, W, X, C, V, B, ?, TAB,
Lock CAPS, SHIFT (left), CTRL (left), ALT (left),
SPACE, ↑ (Up), ↓ (Down), ← (Left), → (Right)



KONIX

www.konix-interactive.com

©2017 Konix. Innelec Multimedia - Konix, 45 rue Delizy, 93692 Pantin Cedex, FRANCE. the brands and logos Konix and Drakkar are trademarks from Innelec Multimedia S.A. Every other trademarks belong to their rightfull owners. All rights reserved. Made in PRC.

